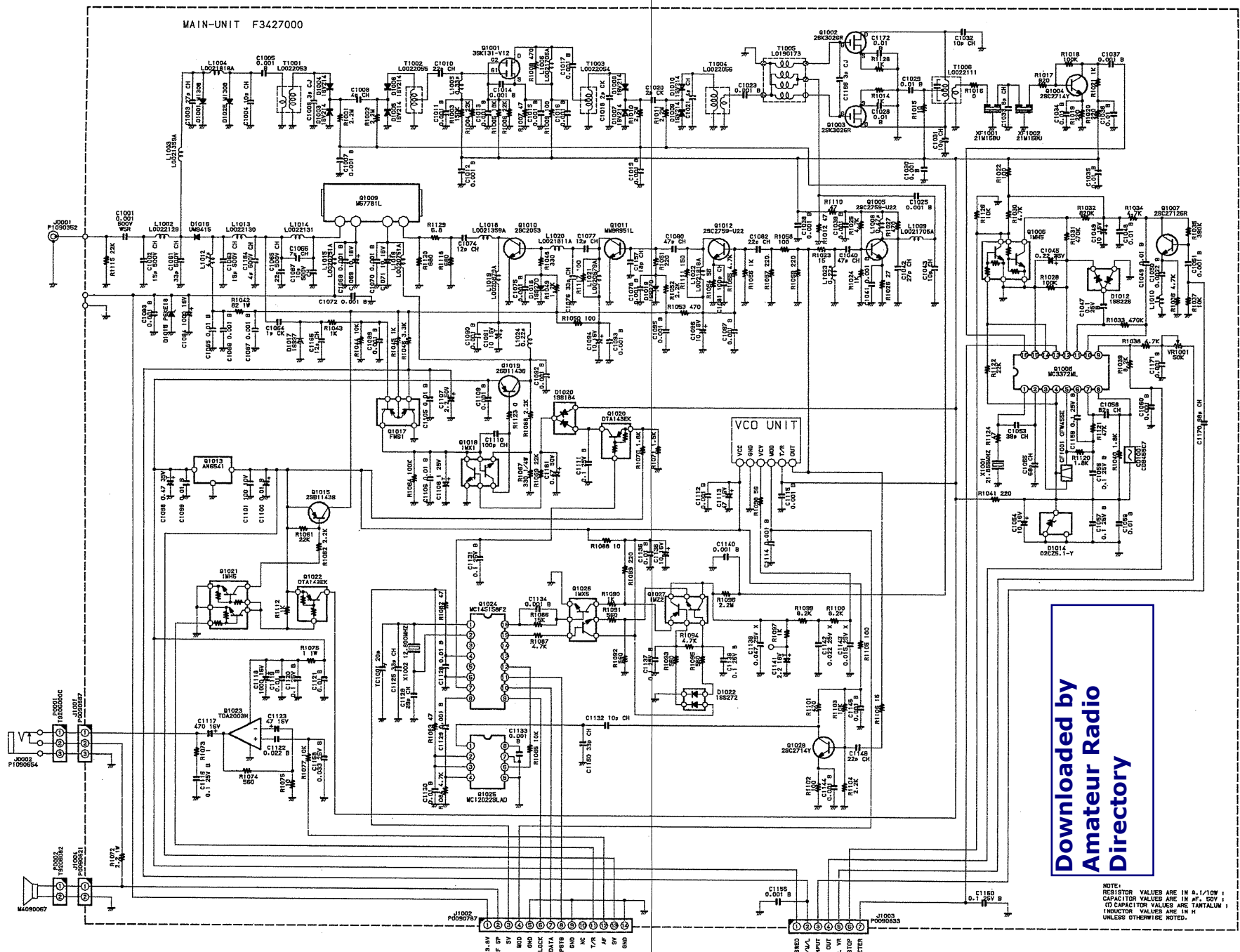
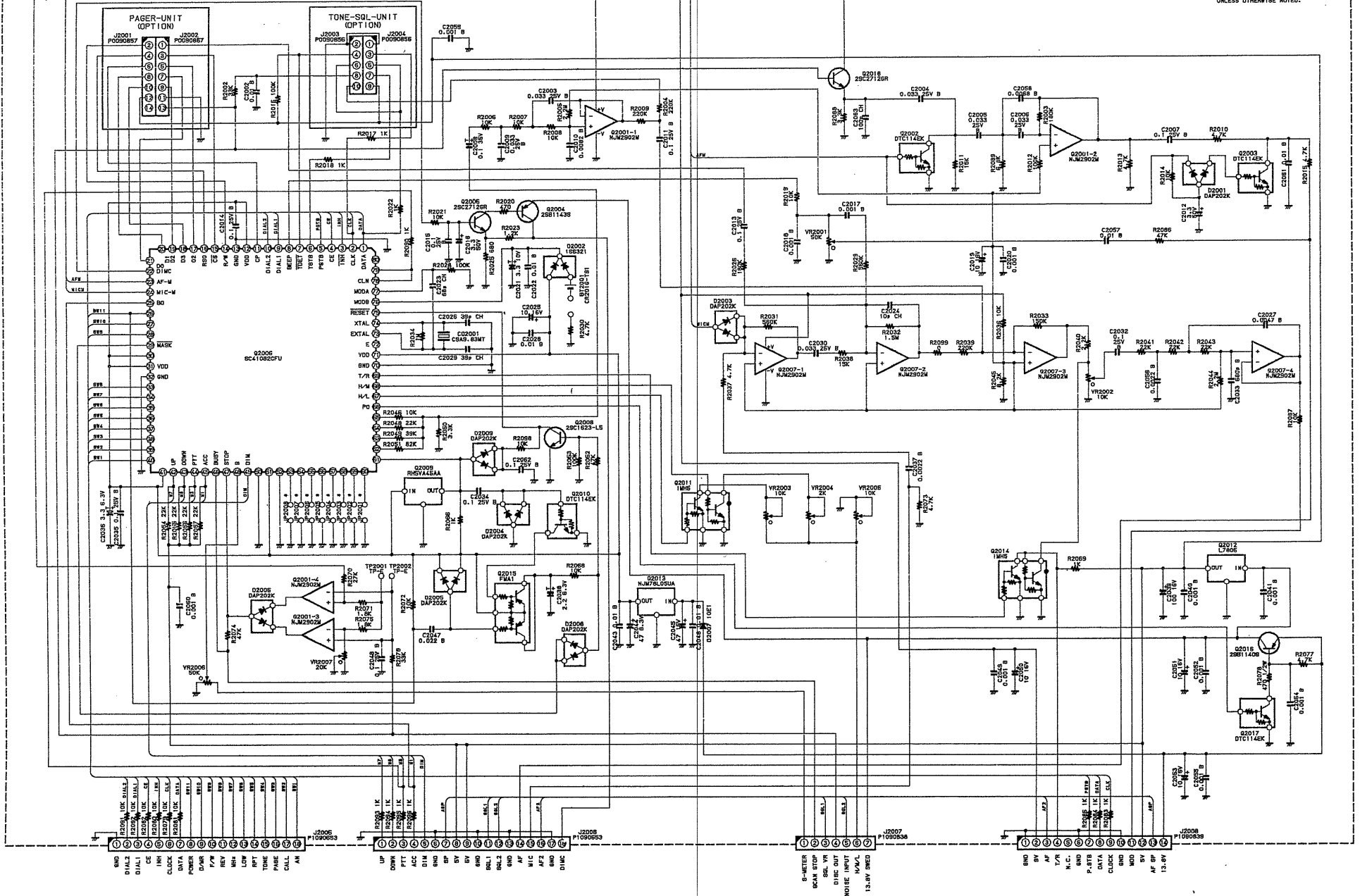


FT-2500M Circuit Diagram



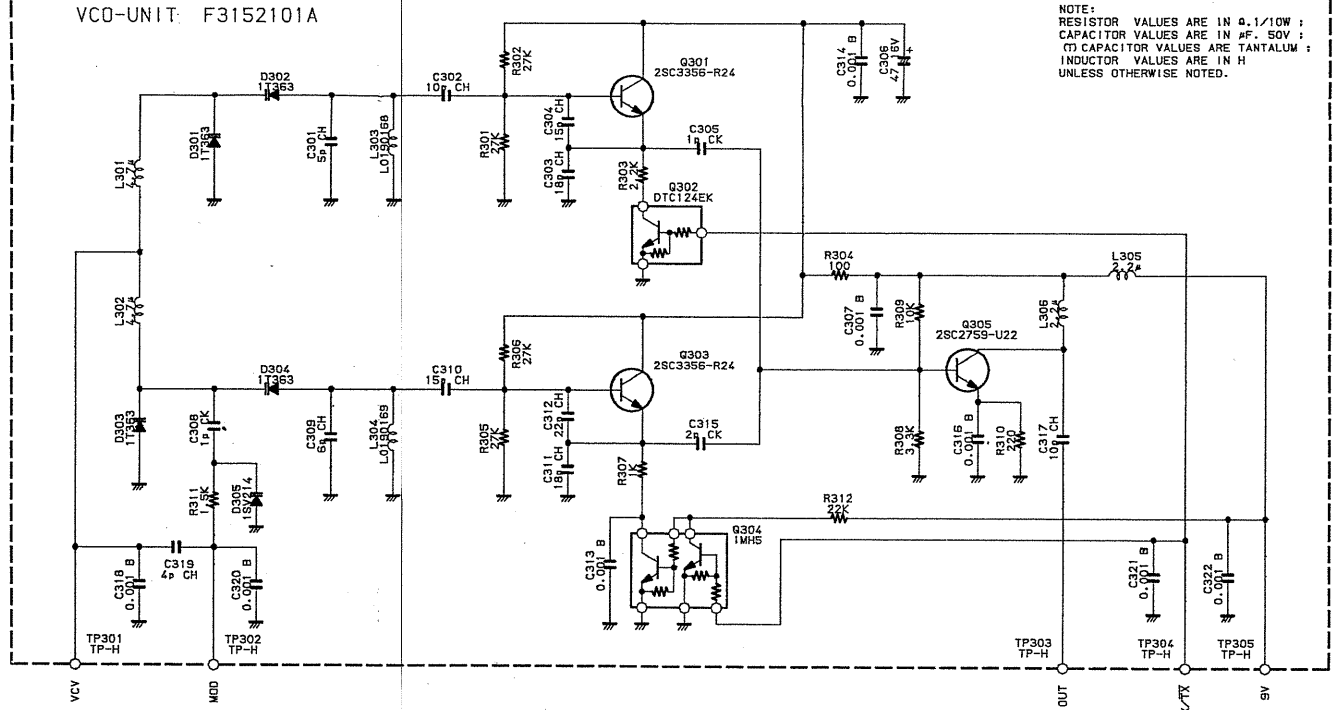
Downloaded by
Amateur Radio
Directory

NOTE: RESISTOR VALUES ARE IN Ω , 1/10W ; CAPACITOR VALUES ARE IN μ F, 50V ; C CAPACITOR VALUES ARE TANTALUM ; INDUCTOR VALUES ARE IN H UNLESS OTHERWISE NOTED.

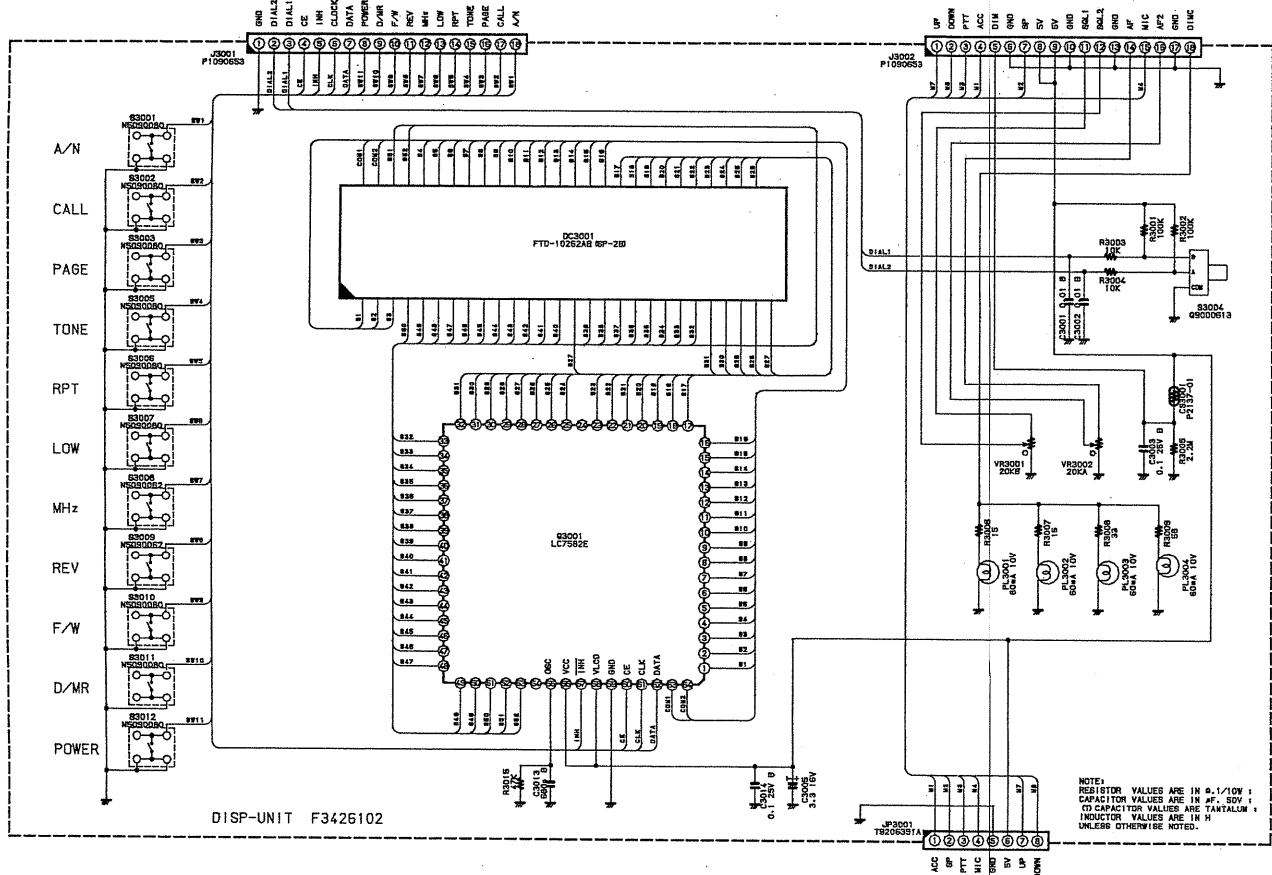


VCO-UNIT F3152101A

NOTE: RESISTOR VALUES ARE IN Ω , 1/10W ; CAPACITOR VALUES ARE IN μ F, 50V ; C CAPACITOR VALUES ARE TANTALUM ; INDUCTOR VALUES ARE IN H UNLESS OTHERWISE NOTED.



Downloaded by Amateur Radio Directory



NOTE: RESISTOR VALUES ARE IN Ω , 1/10W ; CAPACITOR VALUES ARE IN μ F, 50V ; C CAPACITOR VALUES ARE TANTALUM ; INDUCTOR VALUES ARE IN H UNLESS OTHERWISE NOTED.