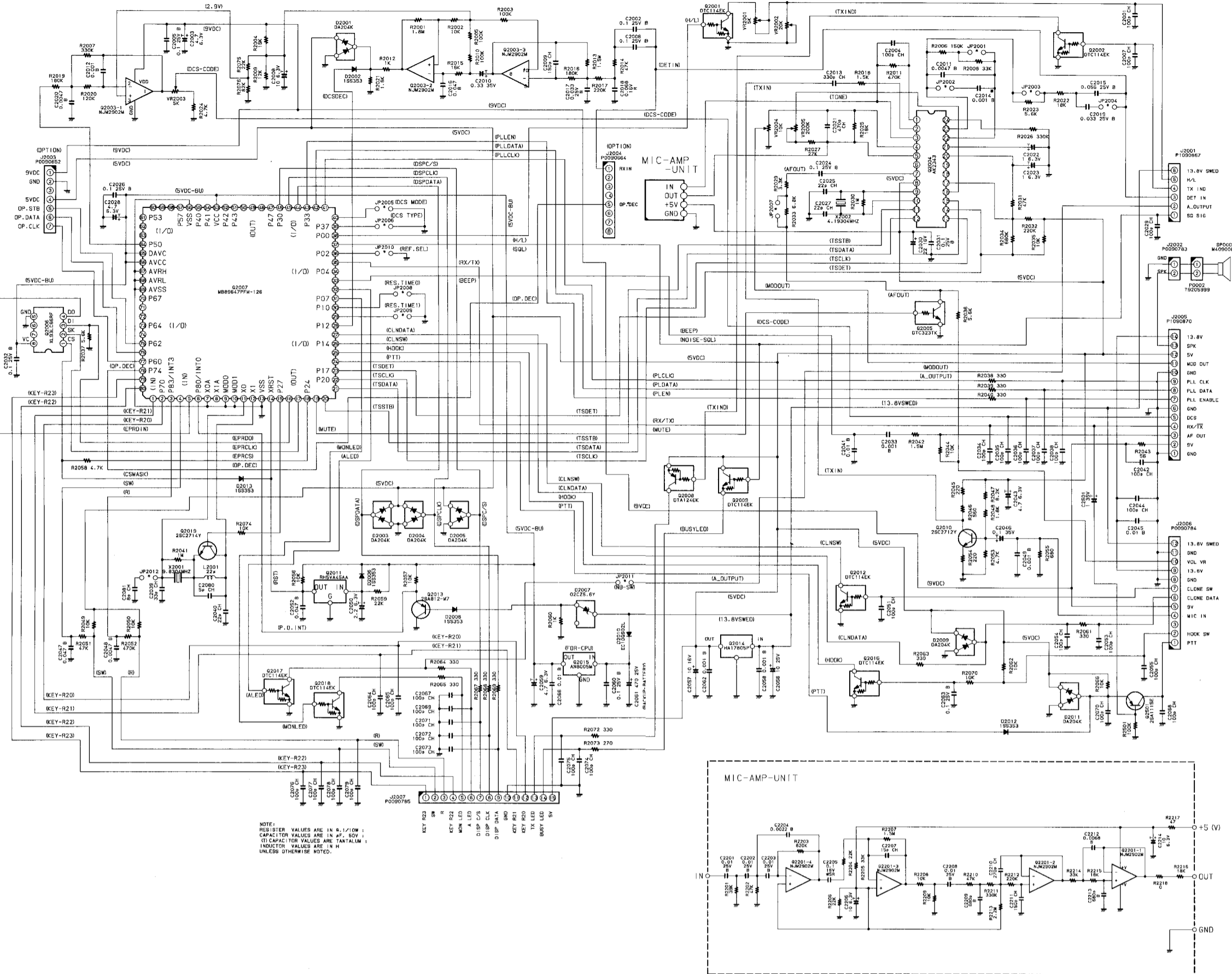
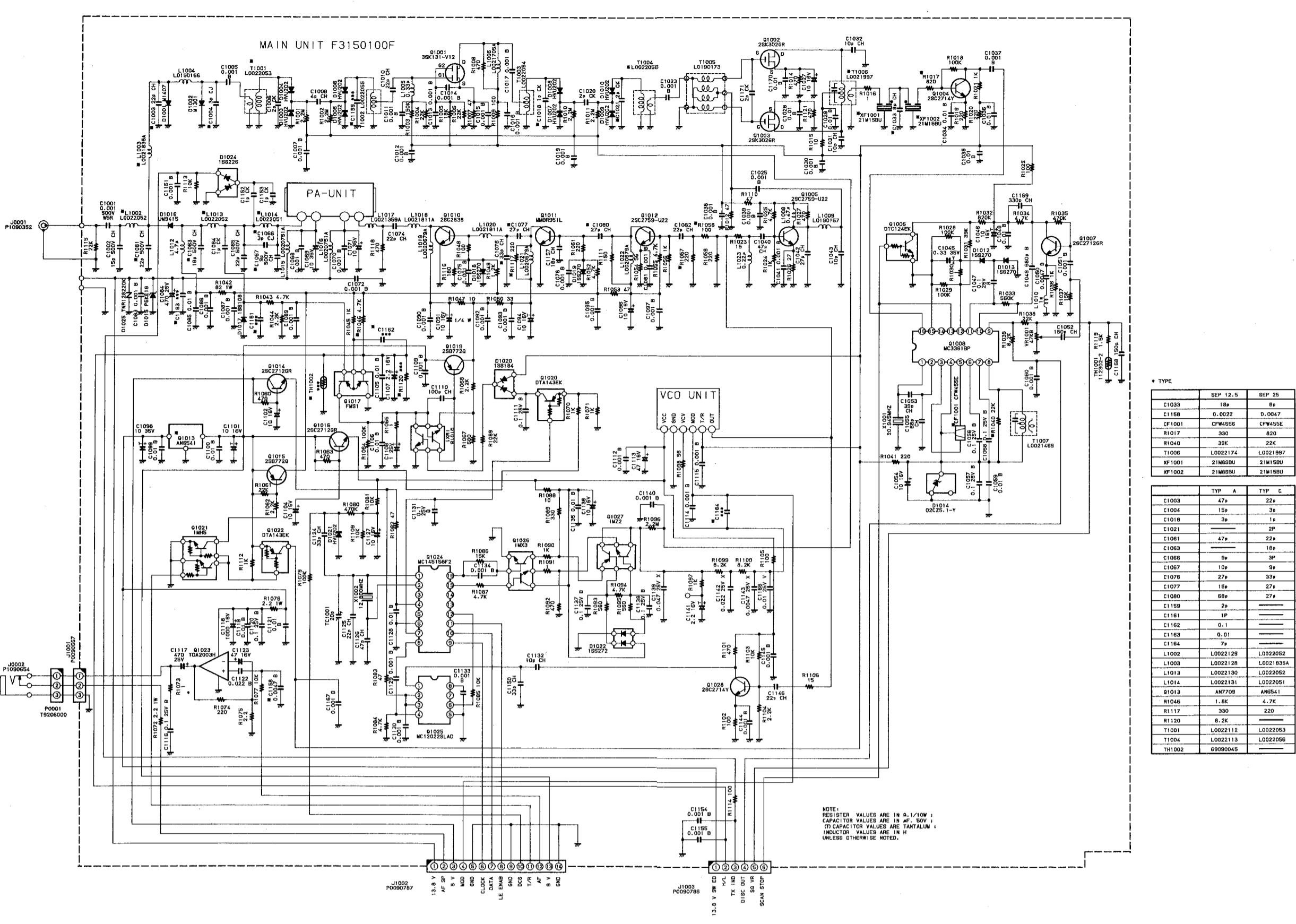


Circuit Diagram Lot. 70~



VCO Unit

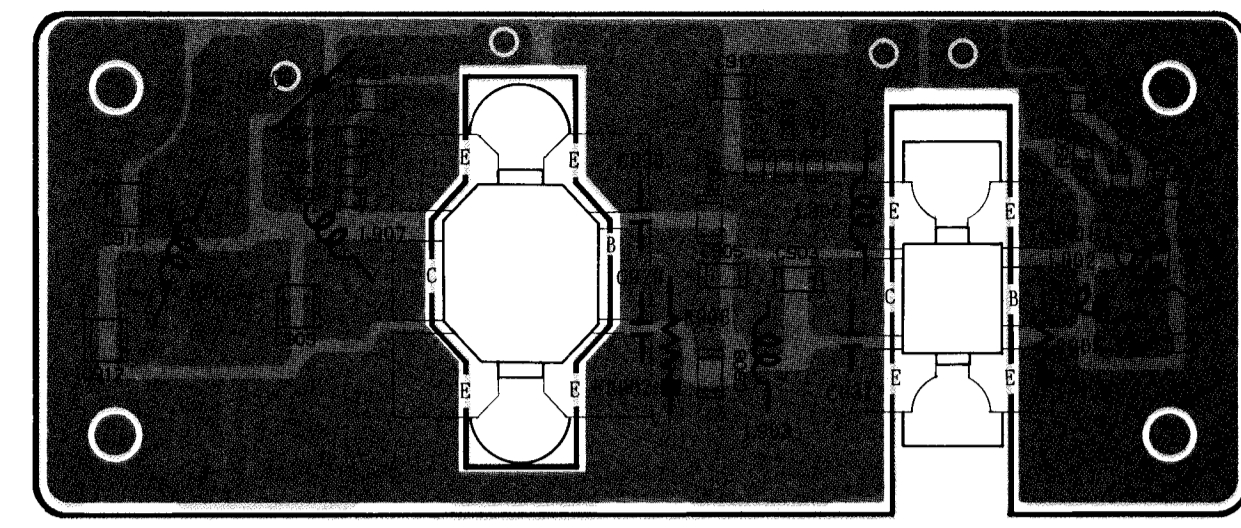
Circuit Diagram



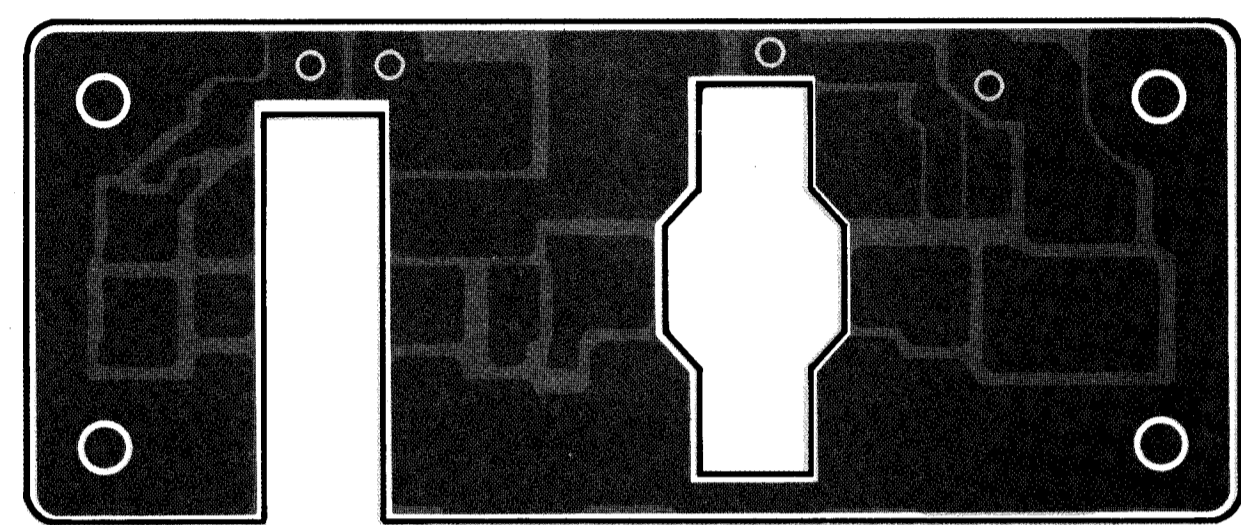
DISP Unit B

Parts Layout & Circuit Diagram

PA Unit (Nos. 9xx)



Obverse View of "Mixed Component" Side



Obverse View of Solder Side

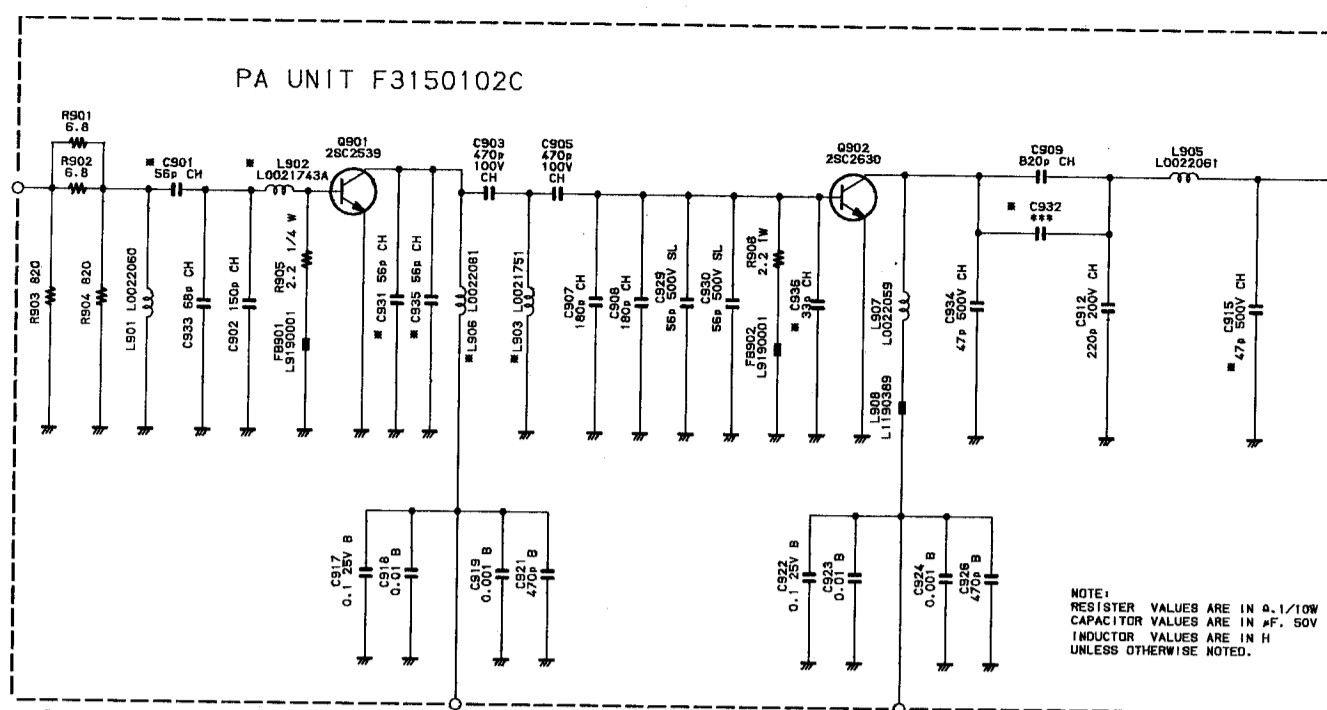
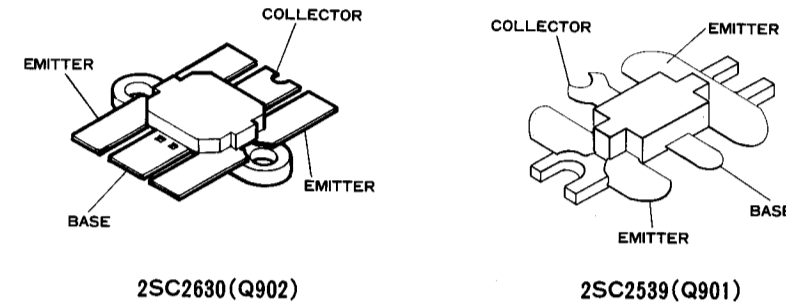
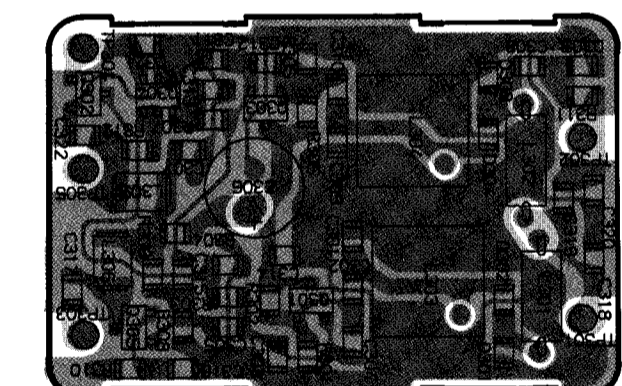


Table with component values for PA UNIT F3150102C, including C901, C916, C931, C932, C935, C936, L902, L903, L904, L905, L906.

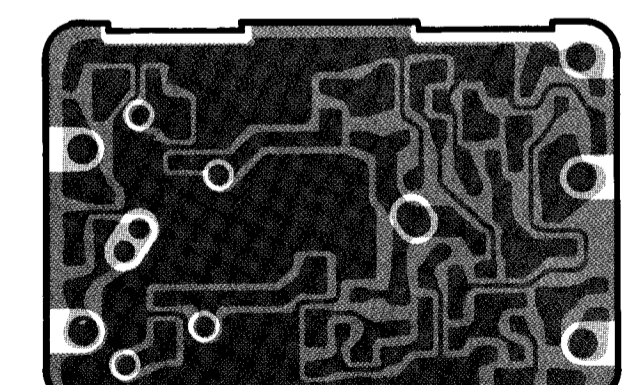


Parts Layout & Circuit Diagram

VCO Unit (Nos. 3xx)



Obverse View of "Mixed Component" Side



Obverse View of Solder Side

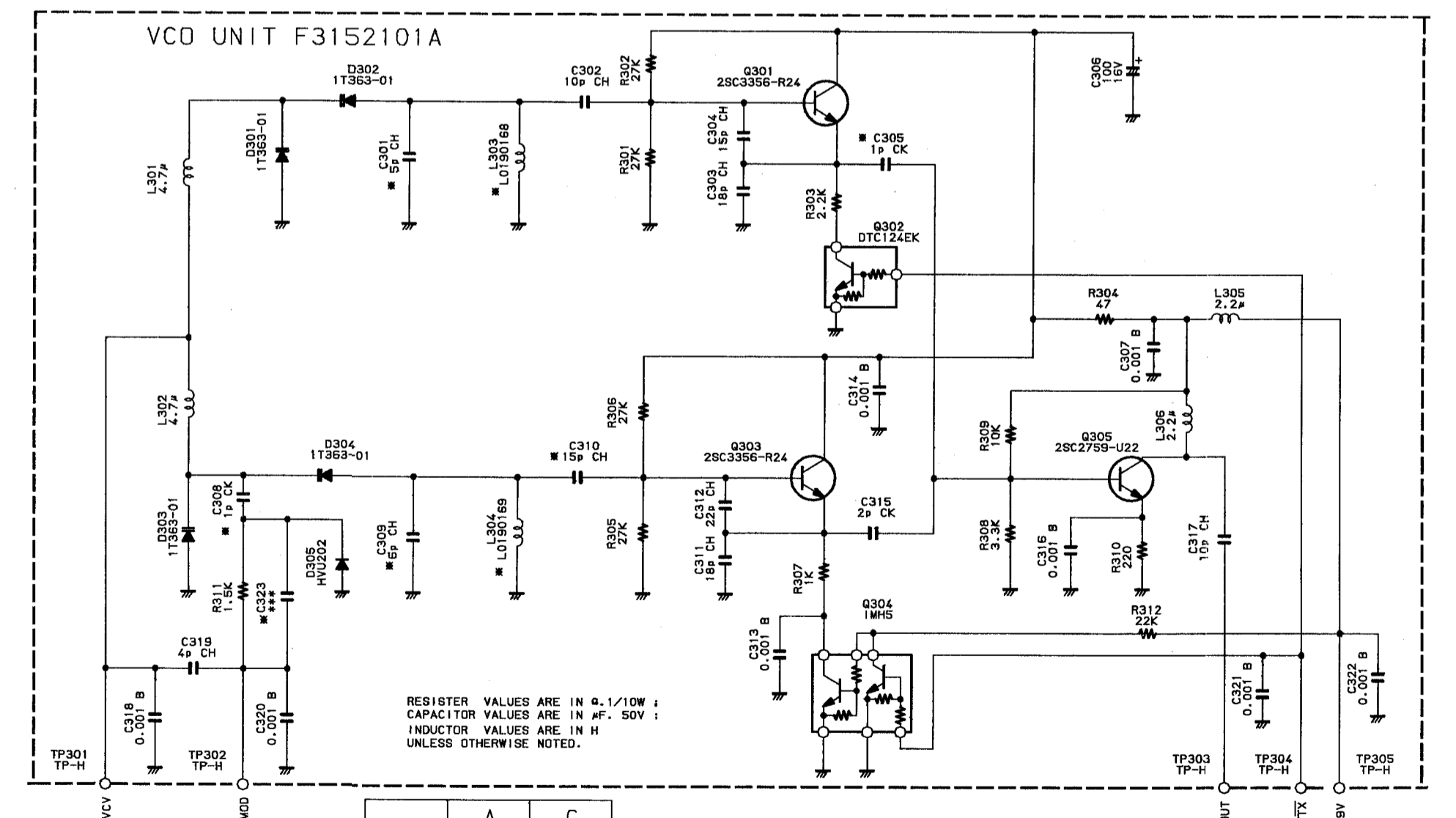
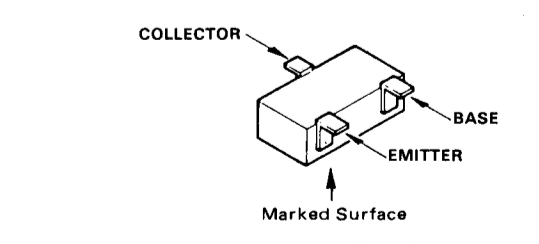
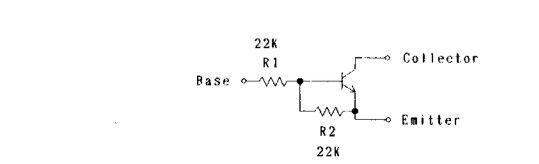


Table with component values for VCO UNIT F3152101A, including L303, L304, C301, C305, C308, C309, C310, C323.



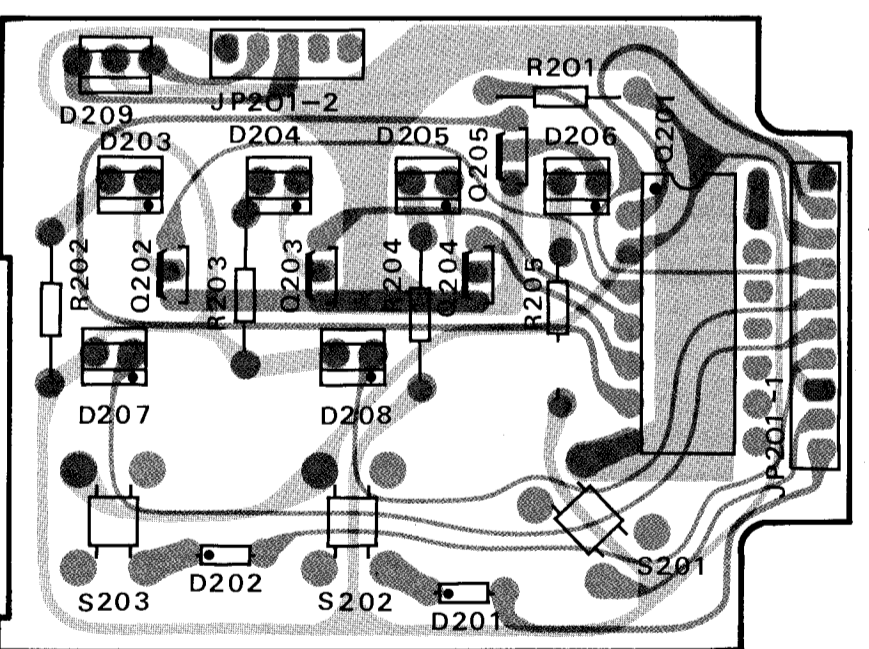
MMBR951 (7Z) (Q301) 2SC3336(R24) (Q301) Lot. 6~7 MMBR951 (7Z) (Q303) 2SC3336 (R24) (Q303) Lot. 5~



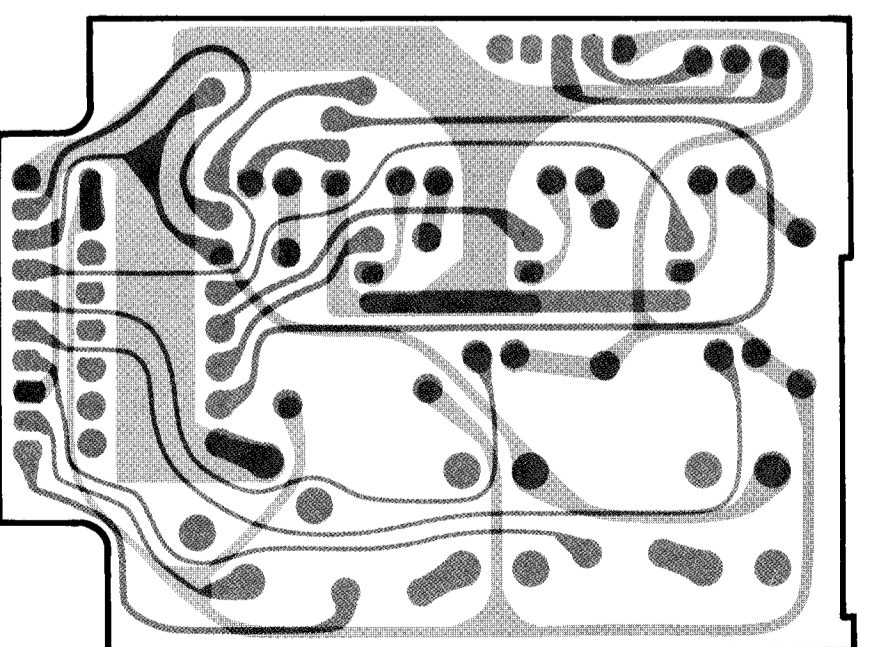
IMH5 (H5) (Q304)

Parts Layout & Circuit Diagram

DISP Unit B (Nos. 2xx)



Obverse View of Component Side



Obverse View of Solder Side

